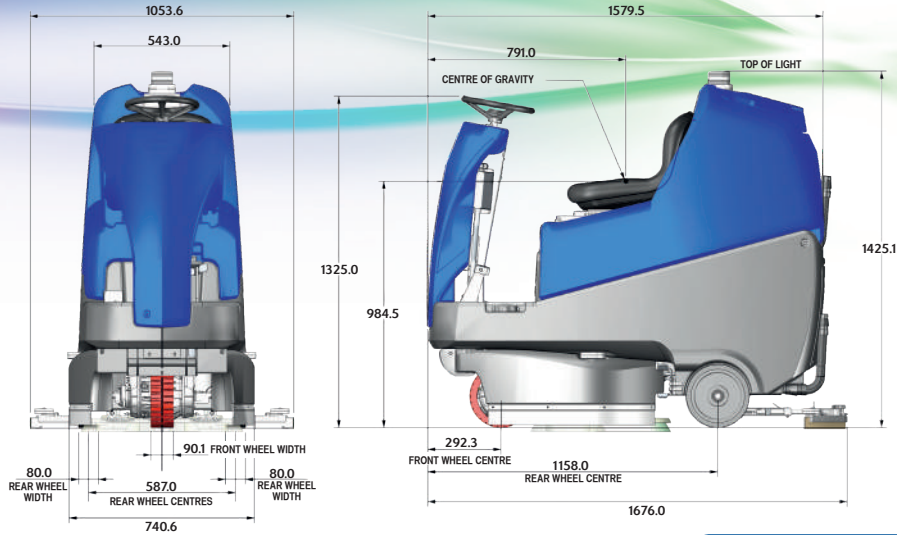


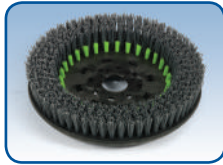
TwinTec Ride On TRO650



330mm Octo Nyloscrub Brush
(2 Required)



330mm Octo Polyscrub Brush
(2 Required)



330mm Octo Longlife Brush
(2 Required)



330mm PadLoc Drive Board
(2 Required)

Brush motor	Vac motor	Power	Run time	Traction drive	Drive speed	Cleaning speed	Scrub width
2 x 24V 400W	24V 400W	4 x 12V (24V) = 200Ahr	3.5 Hrs	600W	0-7.0km/h	4.2km/h	650mm
Brush speed	Water capacity	Water flow rate	Climbing gradient	Weight	Dimensions (HxLxW)		
200rpm	120L	3L/min 2L/min 1L/min 0.5L/min	9%	436kgs	1676 x 1425 x 1054mm		

TRO650

Economy and Efficiency...
by design



www.numatic.co.uk

www.numatic.fr

www.numatic.de

www.numatic.nl

www.numatic.ch

www.numatic.co.za

Numatic International Limited, Chard, Somerset, TA20 2GB Tel: 01460 68600 Fax: 01460 68458
Numatic International Limited 2013. Specification subject to change without prior notice. PN 244250/0713

TwinTec Ride On 650

A more user friendly ride on scrubber dryer would be hard to find. Designed to provide long, simple and reliable service day in day out whatever the environment.

Twintec Ride On TR0650

The TRO650 is based on the well established engineering of the Vario model but simplified to provide a truly professional, cost effective workhorse.



A full 120 litre capacity with a fixed 650mm twin brush power head the TRO650 is ready to go.

Performance Plus on the Move

You can vary the water flow and the operating speed to suit a whole host of conditions from big areas lightly soiled to heavy duty scrubbing in more arduous conditions.

The TRO650 is blessed with a commanding operator driving position, front wheel traction drive, a magnificent turning circle and one pass performance that really will ensure you get the standard you want, exactly when you want it... and fast.

Easy brush access, reversing alarm, flashing safety beacon and sidewall protection all contribute to one of the best machines available...

Designed to work and work well.



Control panel



Easy brush access



Dual brush module

